



# FIRES *of Tradition*



## **Install Instructions for Torrance Jurastone #4004 Mantel**

*Please read this manual before installing the suite. This manual should remain with the homeowner.*

**Updated 12/03/12**

**NOTE**– the installation requirements for the gas fireplace are very relative to the front you are going to be using. Make sure that you read the proper section of this manual thoroughly in order to insure that the fireplace is installed at the correct height relative to the floor!

## Index

*Page 3& 4 Component identification*

*Page 5 Installing the Torrance with the Fenderfire front, 4 pc slip kit & 534*

*Page 11 Installing the Torrance with the Windsor front*

*Page 12 Installing the Torrance with the Clearview front, 3 pc slip kit & 534*

*Page 18 Care and maintenance*

The fireplace manufacturer's technical specifications take precedence over any thing detailed in the following. All clearances or installation requirements detailed in the fireplace manufactures installation manual or the local building code should be strictly followed.

The Jura-stone mantel is designed to be hung on a set of steel brackets and wood 2x3's, which are securely attached to the stud wall (behind the drywall). These steel brackets lock the mantel together and keep the mantel firmly attached to the wall.

**Always install this mantel with the brackets!**

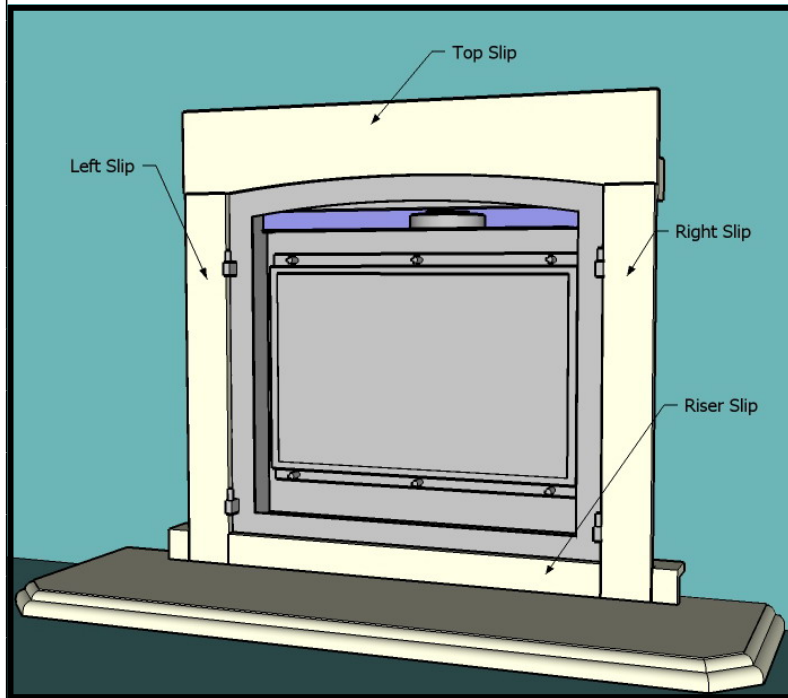
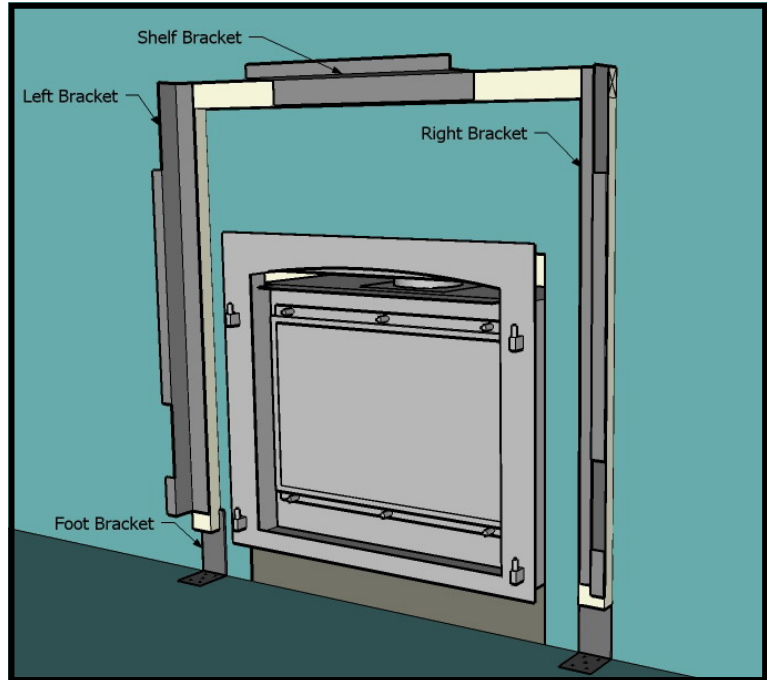
**Failure to do this could result in serious injury!**

Fires of Tradition assumes no responsibility for the colour and texture variations of Jurastone mantels. There will be slight variations in colour and texture from time to time. Fires of Tradition assumes no responsibility for the care and cleaning of Jurastone mantel.

Before you begin to install the Valor gas fireplace, take the time to completely read this manual, and to familiarize yourself with all of the components that are required to complete the installation. This is critical to make sure that you have a complete understanding of the inter relationship of these components. Failure to do so will result in a poor fitting mantel, and require costly back tracking.

The bracket kit consists of-

- 1 pc left wall bracket
- 1 pc right wall bracket
- 1 pc shelf bracket
- 2 pcs foot brackets



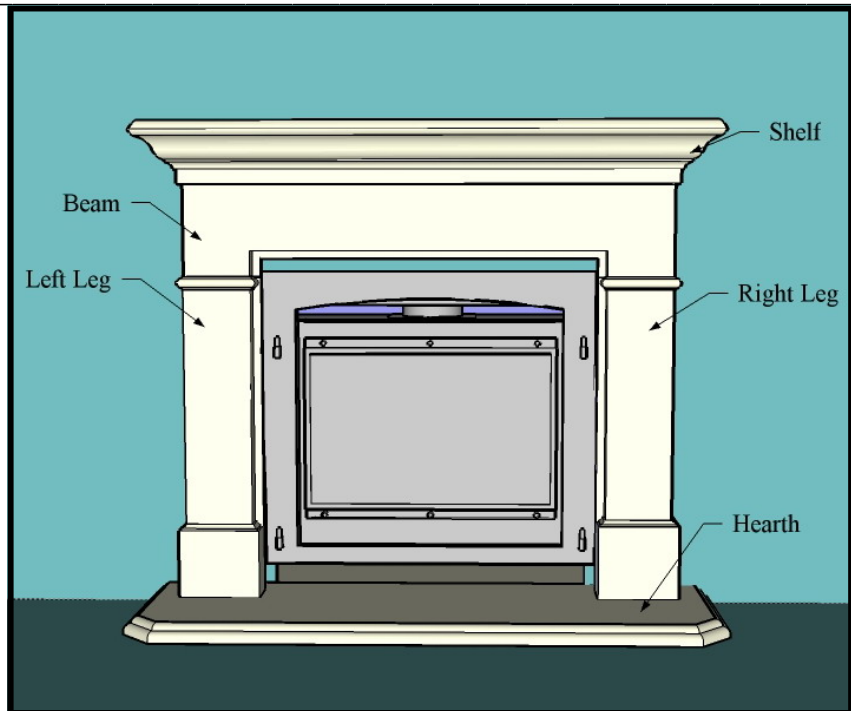
The JSUR slip kit consists of-

- 1 pc left side
- 1 pc right side
- 1 pc top
- 1 pc riser

This is only used with the Horizon engine. If the 530 fireplace and Windsor front are used, this slip kit is not required. See page 11.

**The mantel consists of-**

- **1 pc left leg**
- **1 pc right leg**
- **1 pc beam**
- **1 pc shelf**
- **1 pc hearth [optional]**



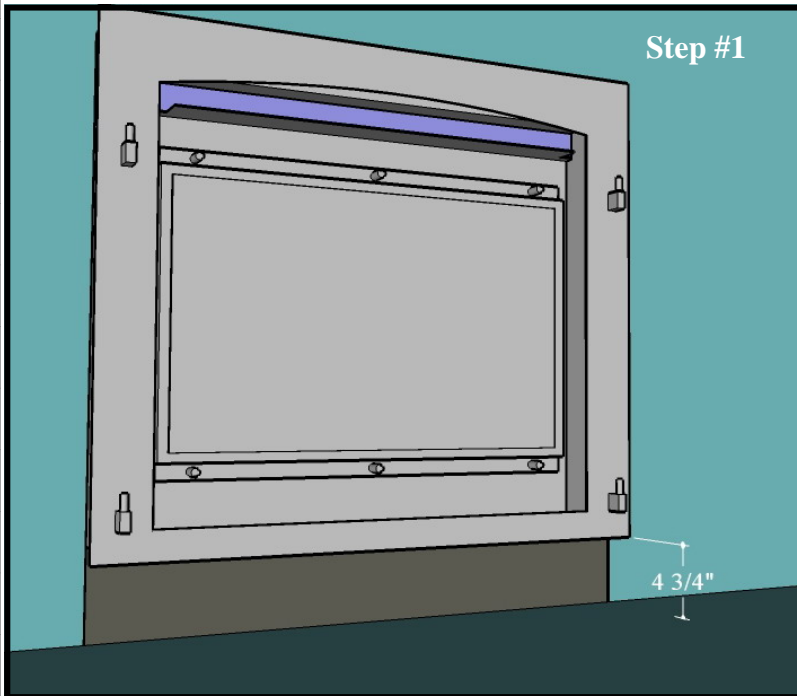
**Note that the mantel kit also contains the brackets, a bag of thinset adhesive, a pair of gloves and a hardware blister pack.**

**It is prudent to assemble some of the pcs as a dry run before you begin to install the system, to insure that you understand how all parts fit together. This is also an excellent time to check the relationship of these pcs to the fireplace itself, to insure that it is installed at the correct height, and is in the correct position relative to the wall.**

**At all times, it is necessary to be as clean and careful as possible. Check the fit of all joints before letting go of components, to insure that they are properly seated. Insure that hands are clean, and use the gloves to insure that no smudges or marks are left on the surface of the mantel. Wipe thoroughly all surfaces that might have cement smeared on their surface.**

**Carefully lay out the boxes in an area of the room where they will be out of the way, and open them up. Remove any loose packing, and with care, pull the pieces out and lay them down on the floor where they can individually be accessed.**

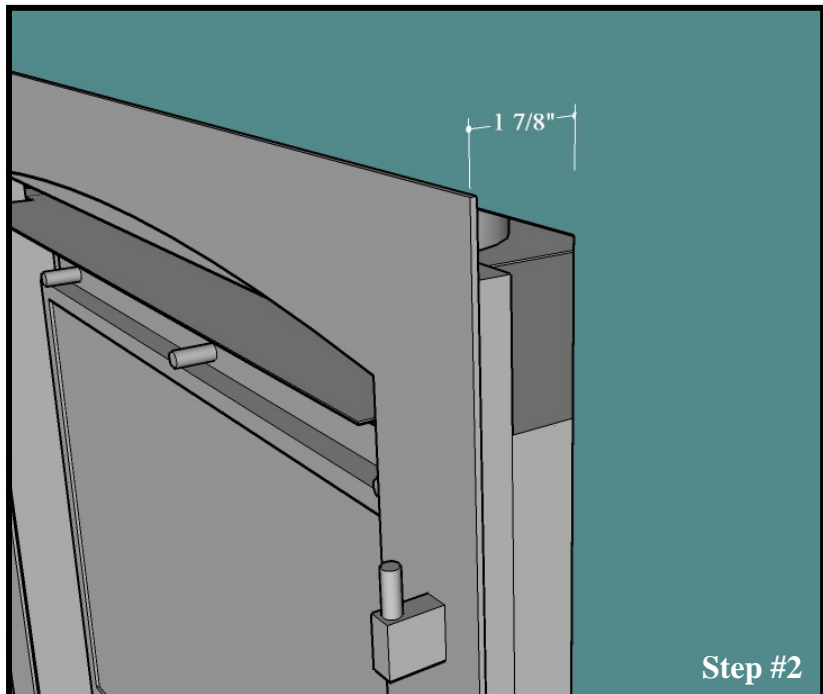
## Installing the Torrance with the 534, 4 pc slip kit & Fenderfire Front

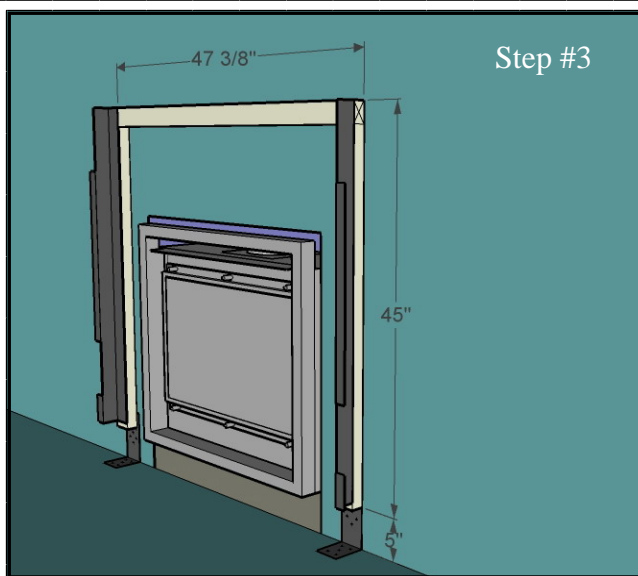


The fireplace must be installed off the floor to account for the height of the hearth and the riser (the riser is included with the four piece slip system). The total height that the unit must sit at is  $4 \frac{3}{4}$ " from the finished floor to the base of the fireplace. If the measurement is greater the unit will sit higher than the riser, resulting in a gap between the fireplace and the riser.

Note: If the unit is being installed where there is no room for the fireplace to be recessed into the wall then wall must be framed out. When framing out the wall don't forget to consider the impact of the taped drywall corners. We suggest that you add an extra 3" for each side for a total of 6" to the widest part of the mantle (the hearth not the shelf).

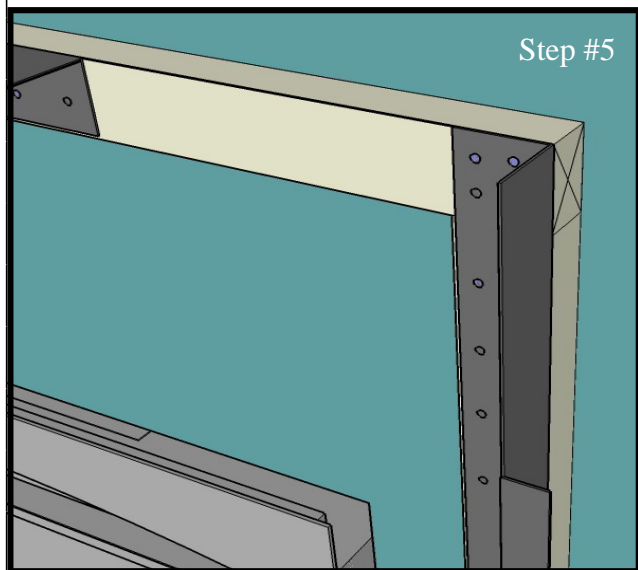
The fireplace front must not be installed flush with the wall, as there will not be enough adjustment in the front to bring it flush with the back of the surround. The fireplace should be installed so that the Fenderfire face is no less than  $1 \frac{3}{8}$ " but no more than  $1 \frac{7}{8}$ " from the finished wall. If this measurement is maintained you will have 1" of adjustment outward on the Fender fire face plate.





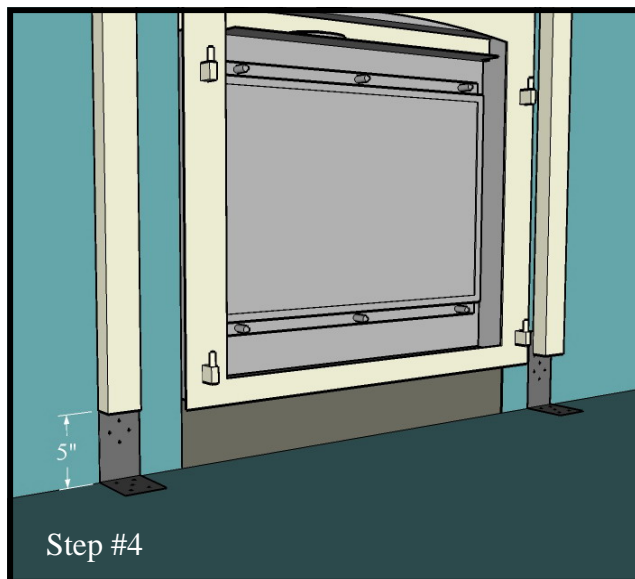
The steel foot brackets secure the bottom of the vertical 2x3's to the wall, as it is impossible to hit the vertical wall studding every time. First, install the two wide 'L' foot brackets against the bottom back of the vertical 2x3's, being careful to maintain the 5" extension shown in the above image.

Second, locate the vertical 2X3's so that the outside top edge is flush with the ends of the horizontal already attached to the wall and insure that they are vertical (use a level). The bottom bracket can now be firmly screwed to the floor.



It is the combination of the wooden 2x3's and the steel brackets that securely hold the mantel to the wall. This wooden 2x3 backing for the steel brackets must be installed according to the dimensions shown. Insure that this framing is centered on the fireplace.

It is crucial that the upper horizontal 2x3 span the entire 47 3/8" and be level. Locate the wall studs and secure this horizontal 2x3 solidly to these with the appropriate length screws. It is the overlapping of the horizontal and vertical 2x3's by the vertical steel brackets that secures the top of the vertical 2x3's to the wall.

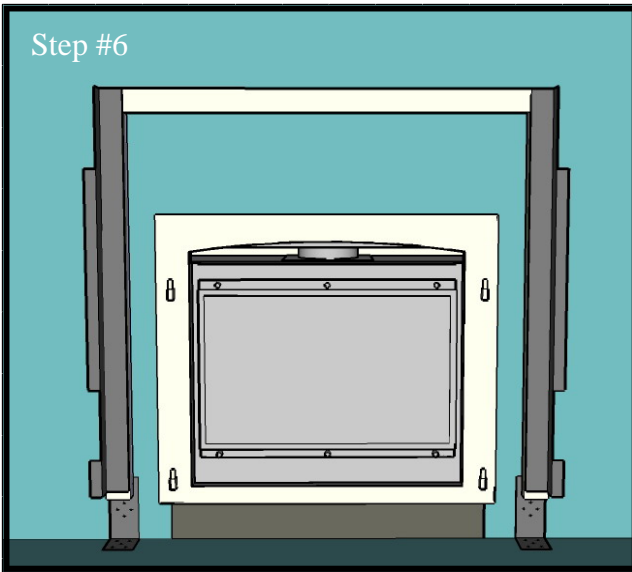


Install the two long steel brackets to the outer edge of each vertical 2x3's. These must be positioned so that the top of the bracket is flush with the top of the horizontal 2x3.

Use multiple screws when attaching the brackets. It is very important that the top and bottom of the brackets are anchored securely to both the vertical and horizontal 2X3's.

When all of the 2x3's and brackets are properly positioned and secured, a sturdy frame is created upon which the stone mantel may be hung.

Step #6



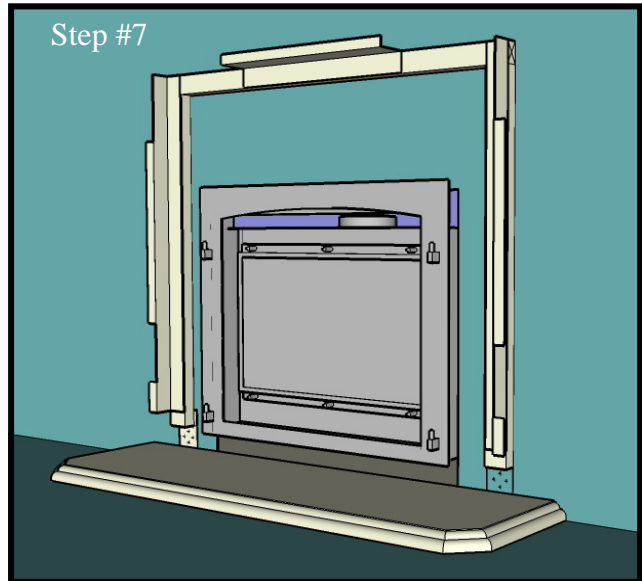
Note: The gloves are supplied for the installers to insure a clean installation. These help minimize the cleanup required after the install is complete. Mix up a small bit of the grout/cement by adding a small amount of water until you get a paste like consistency.

Butter the bottom of the hearth with a thin bead of the cement provided, and reset the hearth into position. Insure that the hearth is level. A couple of wood shims [not supplied for this purpose] carefully positioned under the hearth can help keep it level while the cement dries. Make sure that the any shims used are removed and the holes touched-up with cement.

It is very important that sufficient screws are installed in the brackets and in the wood to support the whole mantel. Failure to insure that these brackets are firmly secured to the wall risks that the mantel could fall off the wall, resulting in serious injury.

Carefully slide the hearth into position, centering it on the fireplace (you may find it easier to do this step if you draw a very small center line on the top back edge of the hearth). Put a couple of small pencil marks on the floor indicating its final position, then

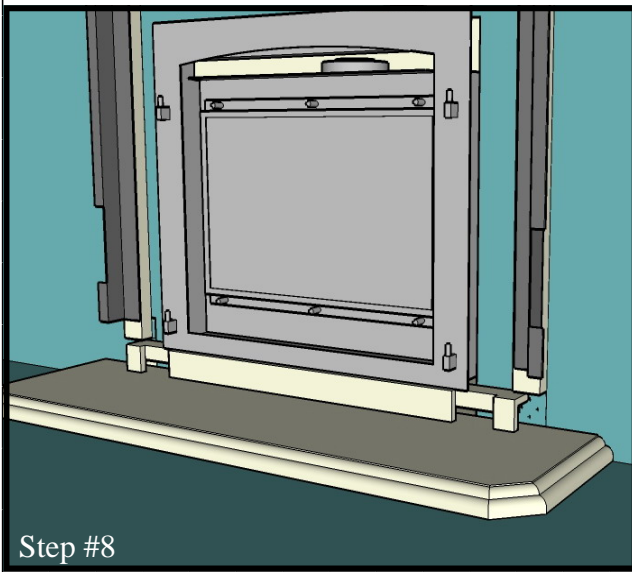
Step #7



The lower piece [riser] of the 4 pc inner frame [JSUR slip kit] can now be set into position, and centered on the fireplace. Apply a thin bead of cement along the bottom edge of this riser, and carefully position into position, centering it on the fireplace.

A small pencil line on either side of the riser will allow you to easily find the right place once you have removed and applied the cement to the bottom. Take care to make sure that the riser is pushed all the way back against the wall. There should be no need to level the riser seeing as it is placed on a level hearth.

Step #8

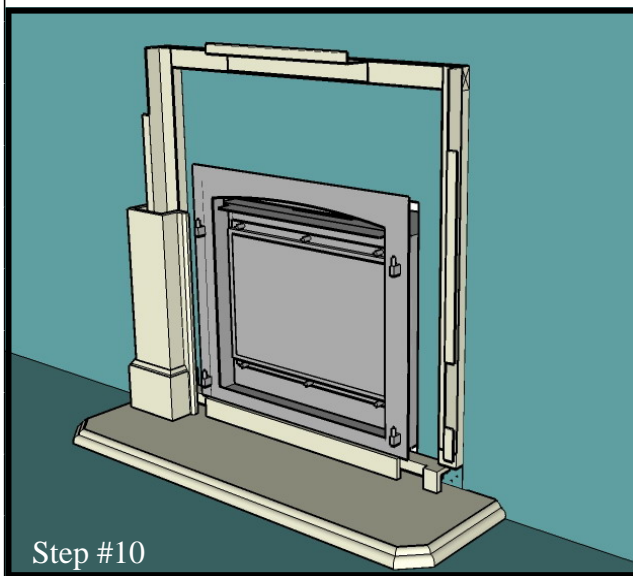
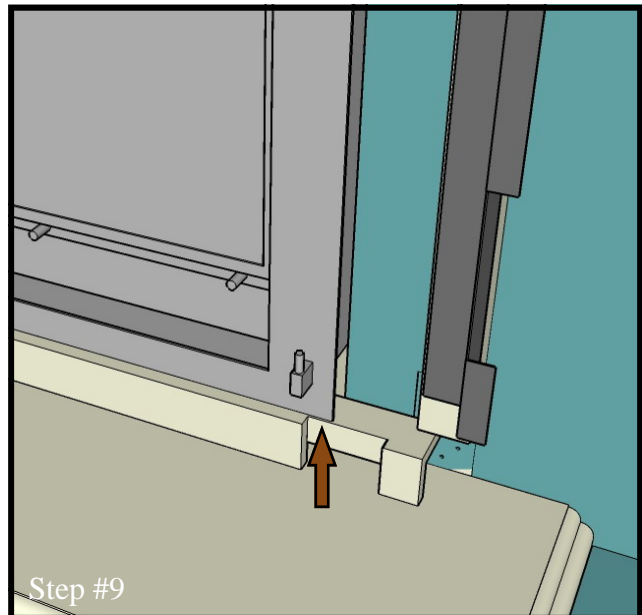


**Important!!** When setting the mantel pieces into position that have cement on them, be very careful that you set the pc down into its final position. Avoid moving the pc around, and spreading the cement beyond it's intended final resting position. If this does happen, wipe it off immediately with a clean, damp cloth. Use sufficient pressure when doing so to insure that the cloth picks up all of the residue of the grout. Because of the textured surface, it is very easy for some grout to remain on the surface, which is not visible until after the installer leaves, and it has dried. A soft brush is very helpful in cleaning the surface to remove this residue completely.

If not completely cleaned, a cloudy haze can show. Once this haze has formed from the grout drying on an exposed surface, it is very difficult to remove with water. However, a commercial grout and haze remover, [such as 'Tile Lab'- a product available from Home Depot] can be used with a soft brush to remove any residue. The soft brush insures that the haze is scrubbed off the deep textured surface.

The front plate of the Fenderfire can be adjusted inwards and outwards by loosening the 4 screws on the inside of the frame. Insure that this plate lies flush with the notched face of the base of the 4pc frame, as shown in the diagram.

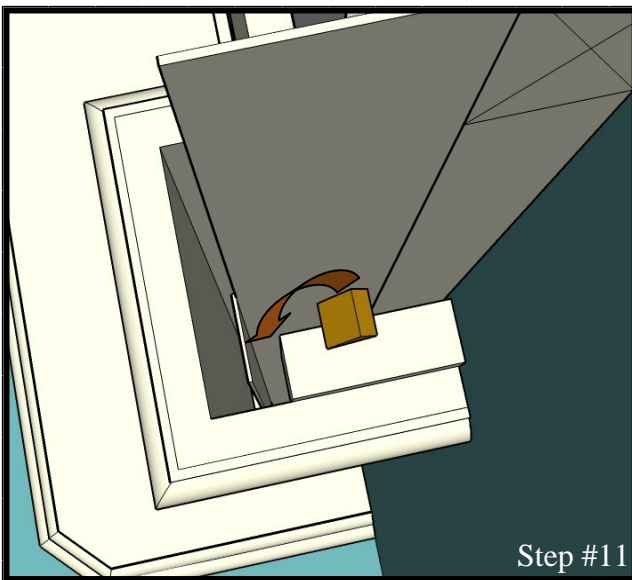
You may need to repeat this step after the install is complete.



There is a light line marked on the hearth indicating the approximate position of the foot of each leg. Apply a thin line of cement along the bottom of the leg, and along the back edge, where the leg will meet the wall.

Carefully lower the leg into position insuring that it is firmly bedded on the hearth and against the wall. Take extra care to not get the cement all over the wall, as this will make the clean-up much harder.

**Important:** Make sure you do not step on the hearth, as this will leave marks, and will possibly cause it to lose level!

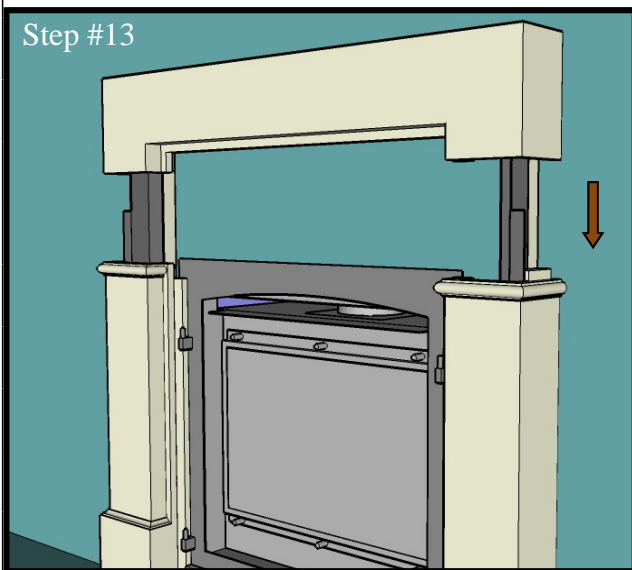
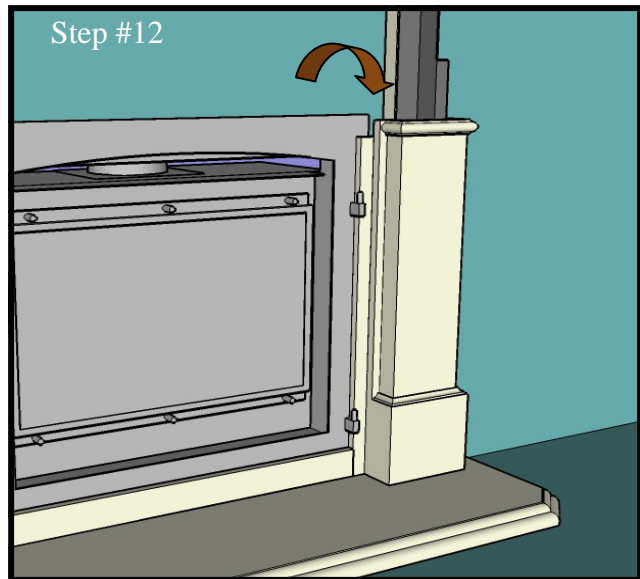


This image is looking down inside the leg.

Take one of the wooden shims supplied in the blister pack, and carefully insert it between the block on the inside top of the leg and the bracket. This will help hold the leg against the wall. There is a place for a second shim at the bottom of the legs if required. Installing the second shim may be done by reaching in from the front bottom of the leg. This is only necessary where the wall is extremely out of vertical. Please use your own discretion in placing the second shim.

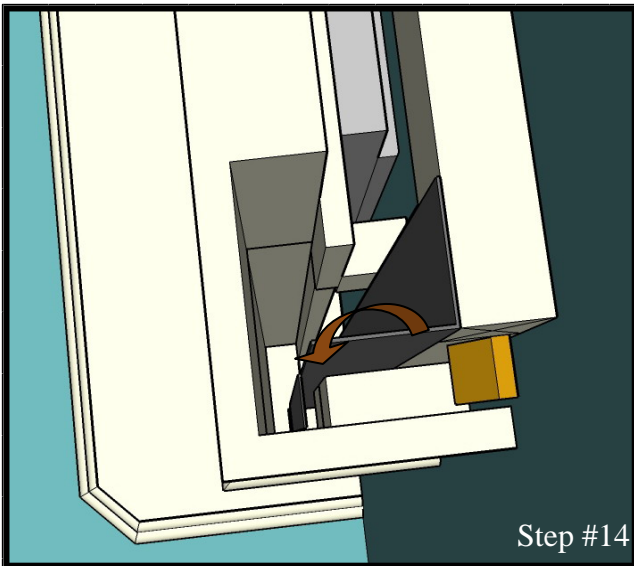
Carefully set one of the side slips of the 4 pc inner frame kit into position, by sliding it behind the inner edge of the leg, and into the slot in the bottom riser.

Note the edges that it comes in contact with. Remove the slip, apply a thin bead of cement along these edges, and set the slip back into position. Wipe off any extra cement with a wet cloth.



*Note; The next step is frequently where damage can occur! Make sure that the beam is properly seated onto the top of leg before letting go of it, as any dropping of the beam against the top of the legs can cause chipping.*

Once both, left and right slips are in position, apply a bead of cement on the top edges of the legs, and along the two back sides of the beam, and carefully lower into position. Hold the beam away from the back wall as it is lowered into position, so as not to mark the wall.



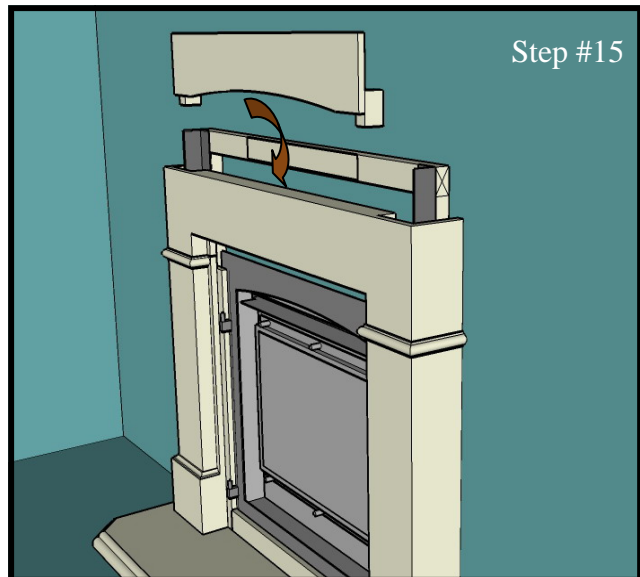
Check the fit of the beam against the top of the legs, and install another wooden shim between the bracket and the block on each side. This will hold the beam against the wall in a secure manner.

Check alignment of the joint where the beam meets the top of the legs to insure that the joint is good, and the leg is not twisted.

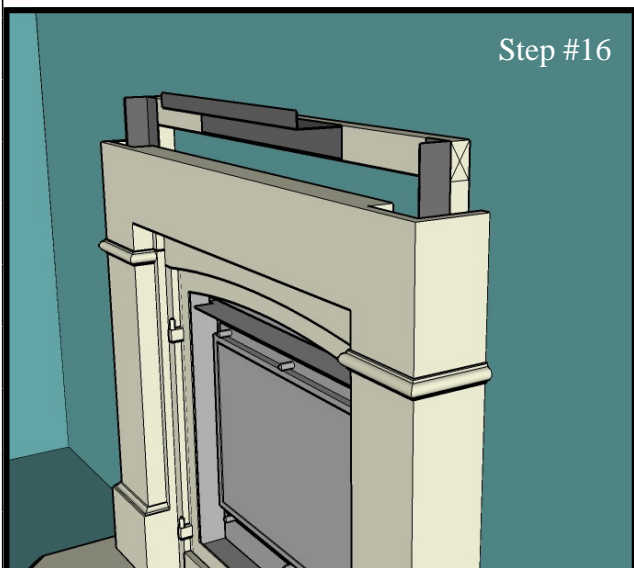
Apply a bead of cement along top edge of the left and right slip and the inside edge of the beam, where the fourth piece of the slip kit comes in contact with the beam.

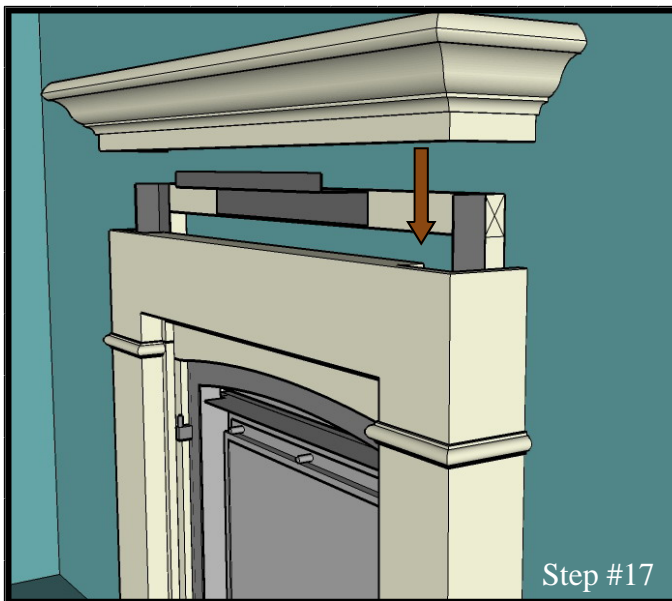
Carefully lower the arched top slip behind the beam and into position on top of the side slips.

Carefully wipe the extra cement off the joints.



Install the shorter remaining bracket centered along the top edge of the horizontal 2x4.

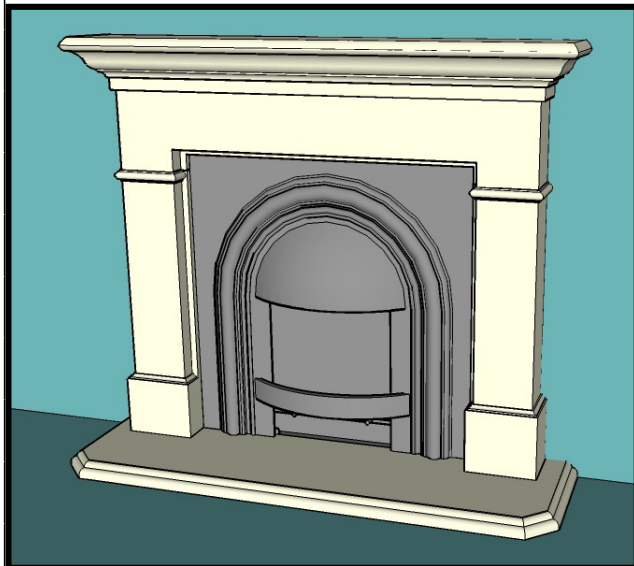




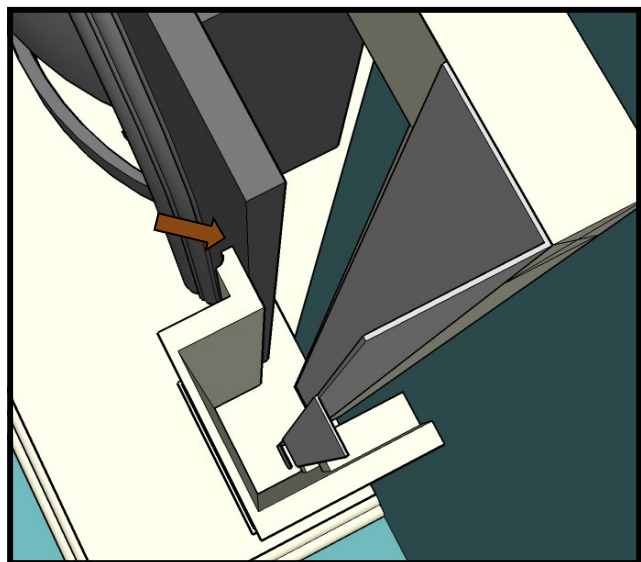
Check the fit of the shelf onto the top of the beam and bracket, then remove. Adjust bracket if necessary. Apply a thin bead of cement along the top edge of the beam, and against the back edges of the shelf. Carefully lower the shelf into position onto the beam. Use a small wood shim in the joint between the beam and shelf if necessary to insure that the top surface of the shelf is horizontal. Don't forget to apply a small amount of cement in the holes when the shims are removed. Carefully wipe all excess cement off mantel along the joints with a wet cloth, paying special attention to our comments on page 8 in this manual. Any other types of marks that have occurred on the surface of the

mantel can be cleaned off very easily using the white eraser provided. If the mantel is chipped at any point, it can be touched up with the two piece touchup provided.

### Installing the Torrance with the Windsor Front

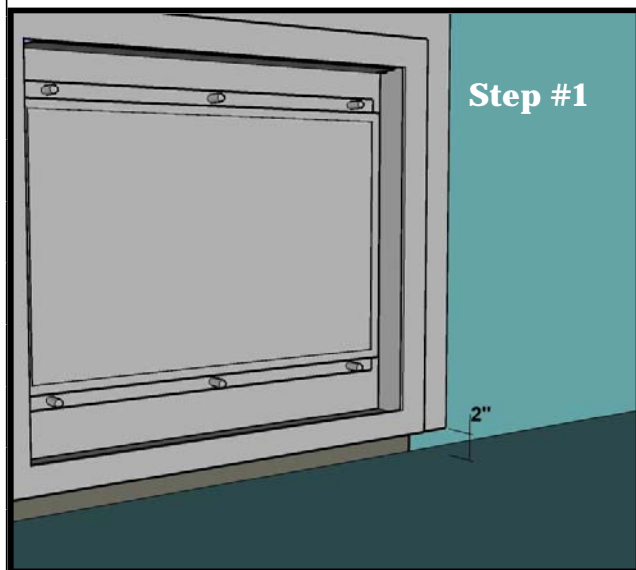


If you are going to use the Windsor with the 530 firebox, rather than the Fenderfire front with the 534- then you will not require the 4 pc slip kit. The 530 firebox must be installed so that it is 2" from the finished floor, and will rest upon the hearth.



The front of the Windsor plate must be installed 2 7/8" away from the wall, in order to fit against the back of the leg. Again, it is prudent to do a dry run before beginning to install the wall brackets to insure that the firebox sits in the correct position relative to the hearth and other mantel components.

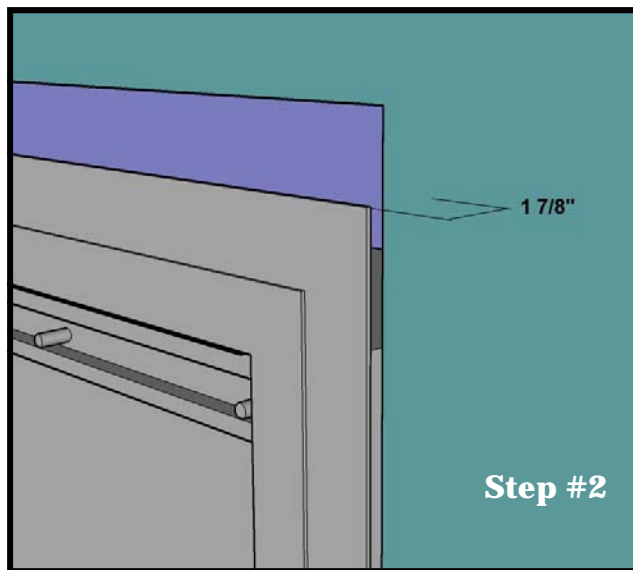
## Installing the Torrance with the 534, 3 pc slip kit & Clearview Front

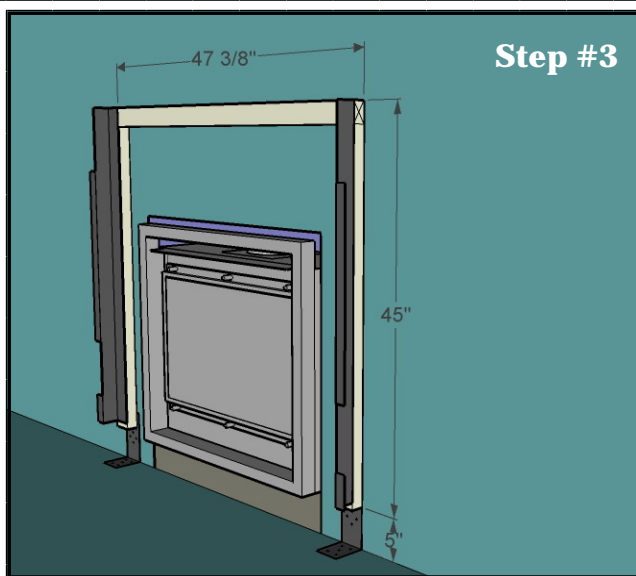


The fireplace must be installed off the floor to account for the height of the hearth and the riser (the riser is included with the four piece slip system). The total height that the unit must sit at is  $4 \frac{3}{4}$ " from the finished floor to the base of the fireplace. If the measurement is greater the unit will sit higher than the riser, resulting in a gap between the fireplace and the riser.

Note: If the unit is being installed where there is no room for the fireplace to be recessed into the wall then wall must be framed out. When framing out the wall don't forget to consider the impact of the taped drywall corners. We suggest that you add an extra 3" for each side for a total of 6" to the widest part of the mantle (the hearth not the shelf).

The fireplace front must not be installed flush with the wall, as there will not be enough adjustment in the front to bring it flush with the back of the surround. The fireplace should be installed so that the Fenderfire face is no less than  $1 \frac{3}{8}$ " but no more than  $1 \frac{7}{8}$ " from the finished wall. If this measurement is maintained you will have 1" of adjustment outward on the Fender fire face plate.



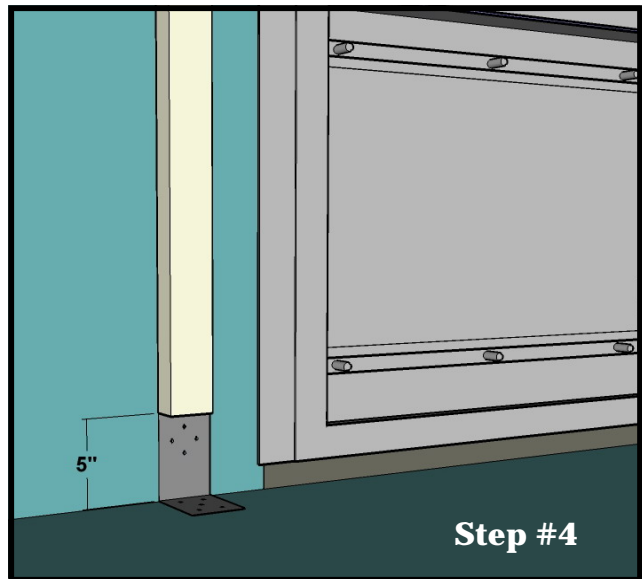


It is the combination of the wooden 2x3's and the steel brackets that securely hold the mantel to the wall. This wooden 2x3 backing for the steel brackets must be installed according to the dimensions shown. Insure that this framing is centered on the fireplace.

It is crucial that the upper horizontal 2x3 span the entire 47 3/8" and be level. Locate the wall studs and secure this horizontal 2x3 solidly to these with the appropriate length screws.

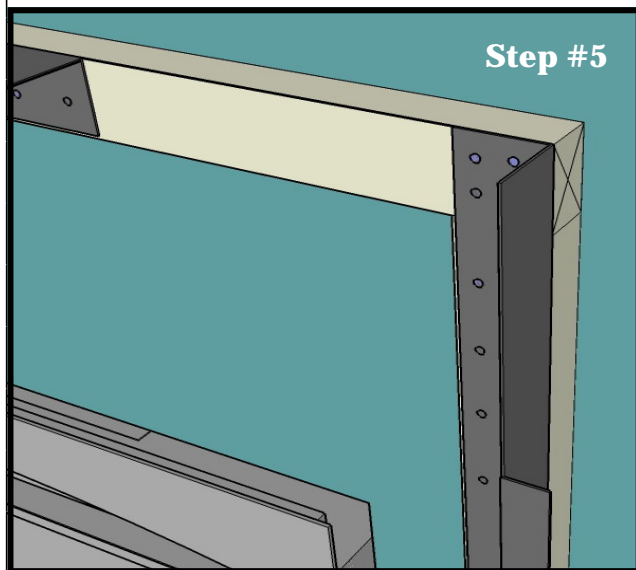
The steel foot brackets secure the bottom of the vertical 2x3's to the wall, as it is impossible to hit the vertical wall studding every time. First, install the two wide 'L' foot brackets against the bottom back of the vertical 2x3's, being careful to maintain the 5" extension shown in the above image.

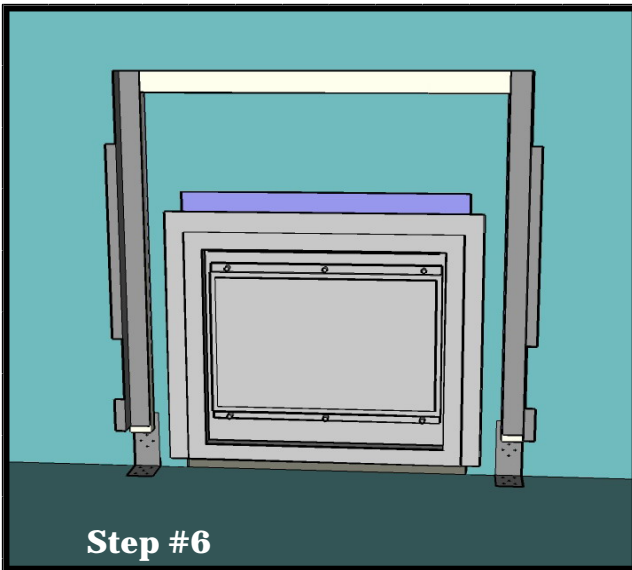
Second, locate the vertical 2X3's so that the outside top edge is flush with the ends of the horizontal already attached to the wall and insure that they are vertical (use a level). The bottom bracket can now be firmly screwed to the floor.



Install the two long steel brackets to the outer edge of each vertical 2x3's. These must be positioned so that the top of the bracket is flush with the top of the horizontal 2x3.

Use multiple screws when attaching the brackets. It is very important that the top and bottom of the brackets are anchored securely to both the vertical and horizontal 2X3's.



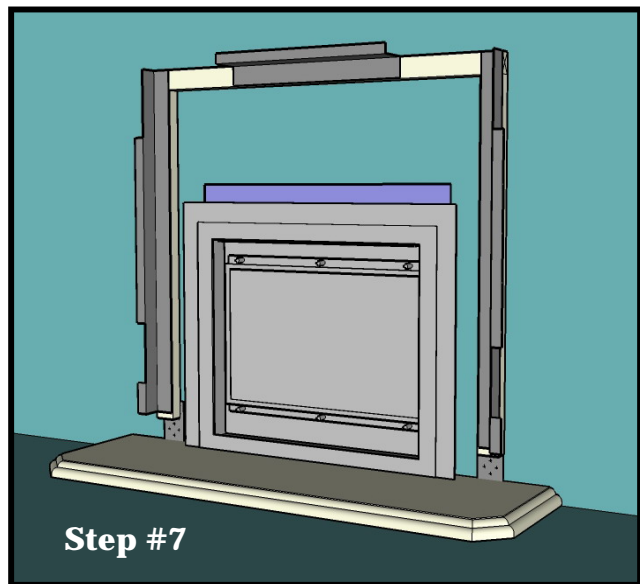


It is very important that sufficient screws are installed in the brackets and in the wood to support the whole mantel. Failure to insure that these brackets are firmly secured to the wall risks that the mantel could fall off the wall, resulting in serious injury.

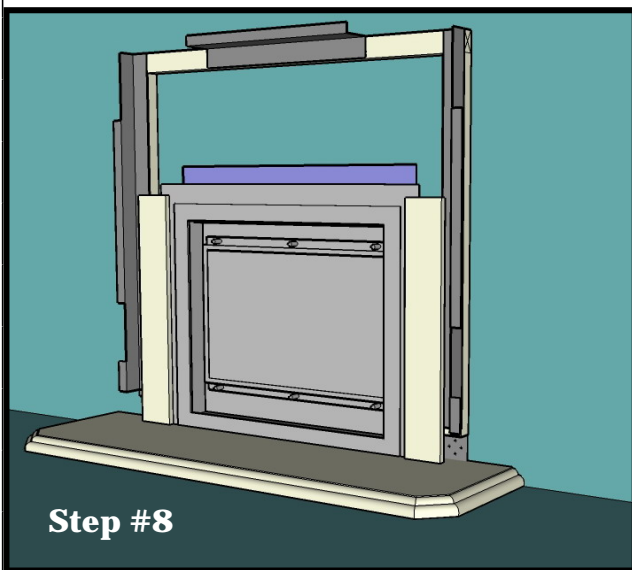
Carefully slide the hearth into position, centering it on the fireplace (you may find it easier to do this step if you draw a very small center line on the top back edge of the hearth). Put a

Note: The gloves are supplied for the installers to insure a clean installation. These help minimize the cleanup required after the install is complete. Mix up a small bit of the grout/cement by adding a small amount of water until you get a paste like consistency.

Butter the bottom of the hearth with a thin bead of the cement provided, and reset the hearth into position. Insure that the hearth is level. A couple of wood shims [not supplied for this purpose] carefully positioned under the hearth can help keep it level while the cement dries.

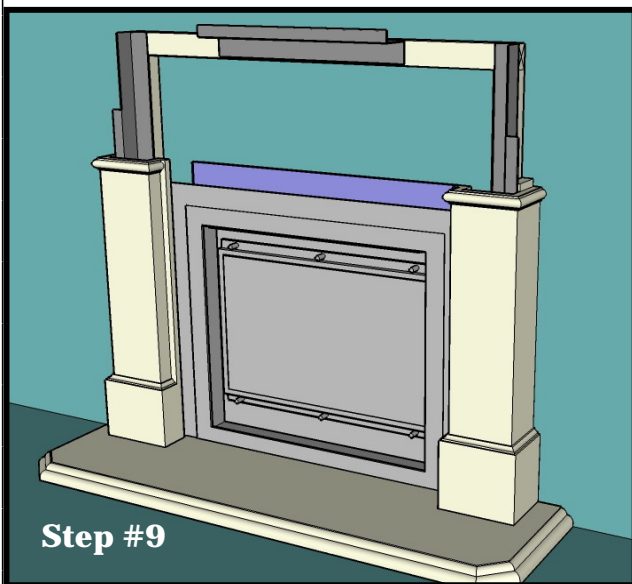


The installation of a Torrance mantel with a Horizon firebox and Clearview front requires the 3 piece slip kit JSUR10. The side slips or legs of this kit will need to be cut down in length to 29 3/4" [you will see a line indicating this on the back of the slip]. This can be done with a stone or tile saw. Do not cut lower than this dimension!



**Important!!** When setting the mantel pieces into position that have cement on them, be very careful that you set the pc down into its final position. Avoid moving the pc around, and spreading the cement beyond it's intended final resting position. If this does happen, wipe it off immediately with a clean, damp cloth. Use sufficient pressure when doing so to insure that the cloth picks up all of the residue of the grout. Because of the textured surface, it is very easy for some grout to remain on the surface, which is not visible until after the installer leaves, and it has dried. A soft brush is very helpful in cleaning the surface to remove this residue completely.

If not completely cleaned, a cloudy haze can show. Once this haze has formed from the grout drying on an exposed surface, it is very difficult to remove with water. However, a commercial grout and haze remover, [such as 'Tile Lab'- a product



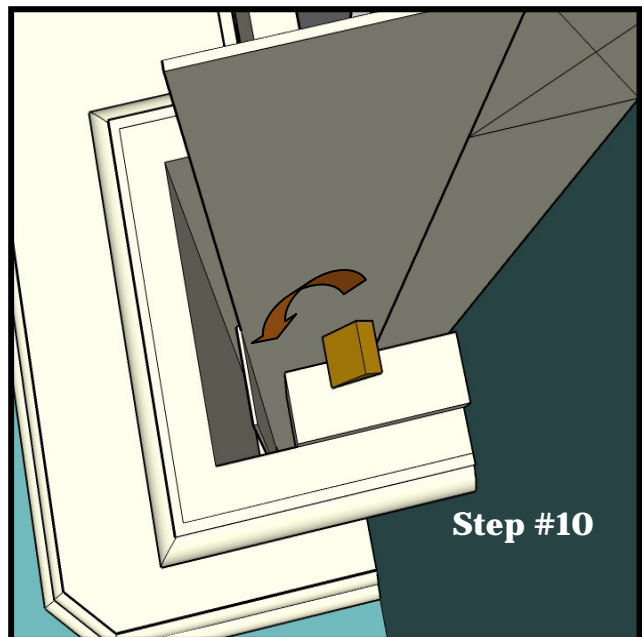
**Step #9**

There is a light line marked on the hearth indicating the approximate position of the foot of each leg. Apply a thin line of cement along the bottom of the leg, and along the back edge, where the leg will meet the wall.

Carefully lower the leg into position insuring that it is firmly bedded on the hearth and against the wall. Take extra care to not get the cement all over the wall, as this will make the clean-up much harder.

This image is looking down inside the leg.

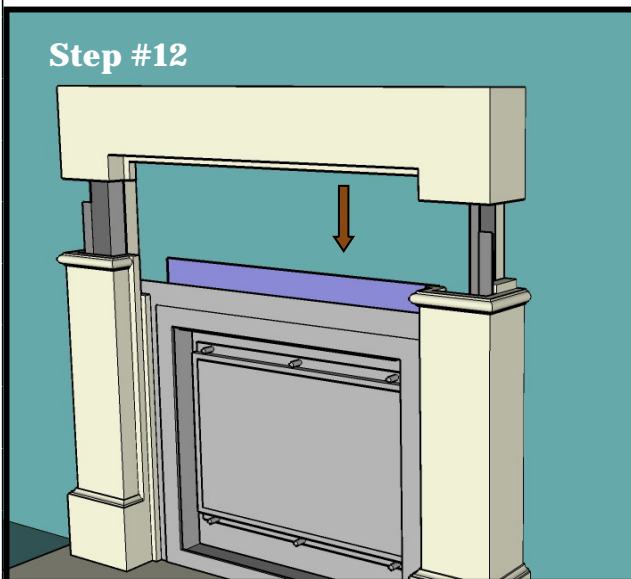
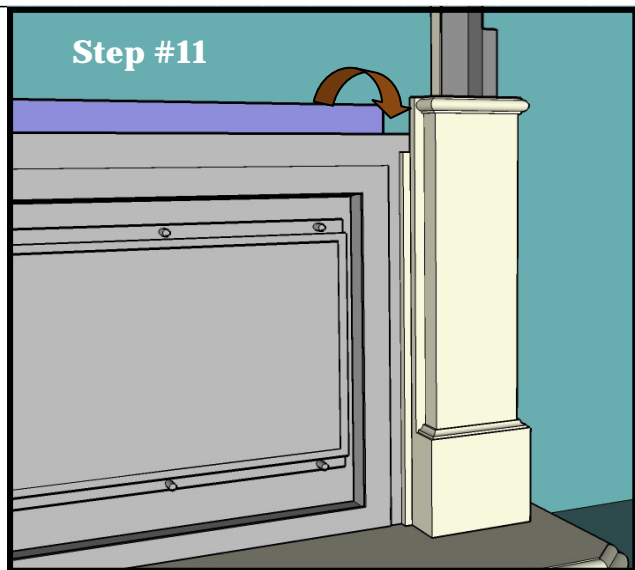
Take one of the wooden shims supplied in the blister pack, and carefully insert it between the block on the inside top of the leg and the bracket. This will help hold the leg against the wall. There is a place for a second shim at the bottom of the legs if required. Installing the second shim may be done by reaching in from the front bottom of the leg. This is only necessary where the wall is extremely out of vertical- use your own discretion in placing the second shim.



**Step #10**

Carefully set one of the side slips into position, by sliding it behind the inner edge of the leg, and into the slot in the bottom riser.

Note the edges that it comes in contact with. Remove the slip, apply a thin bead of cement along these edges, and set the slip back into position. Wipe off any extra cement with a wet cloth.



*Note; The next step is frequently where damage can occur! Make sure that the beam is properly seated onto the top of leg before letting go of it, as any dropping of the beam against the top of the legs can cause chipping.*

Once both, left and right slips are in position, apply a bead of cement on the top edges of the legs, and along the two back sides of the beam, and carefully lower into position. Hold the beam away from the back wall as it is lowered into position, so as not to mark the wall.

Check the fit of the beam against the top of the legs, and install another wooden shim between the bracket and the block on each side. This will hold the beam against the wall in a secure manner.

Check alignment of the joint where the beam meets the top of the legs to insure that the joint is good, and the leg is not twisted.



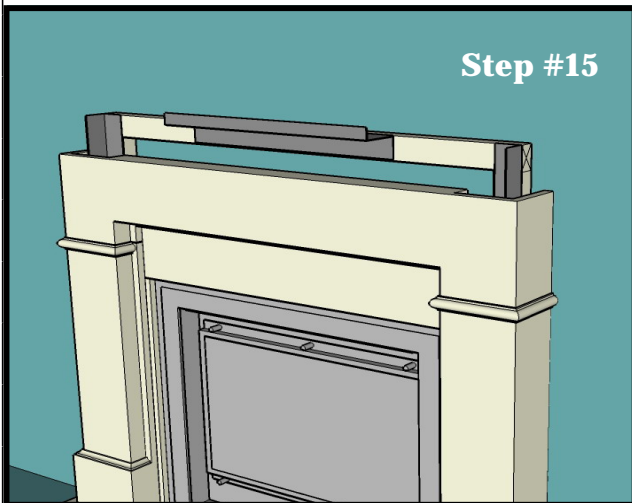
Apply a bead of cement along top edge of the left and right slip and the inside edge of the beam, where the fourth piece of the slip kit comes in contact with the beam.

Carefully lower the arched top slip behind the beam and into position on top of the side slips.

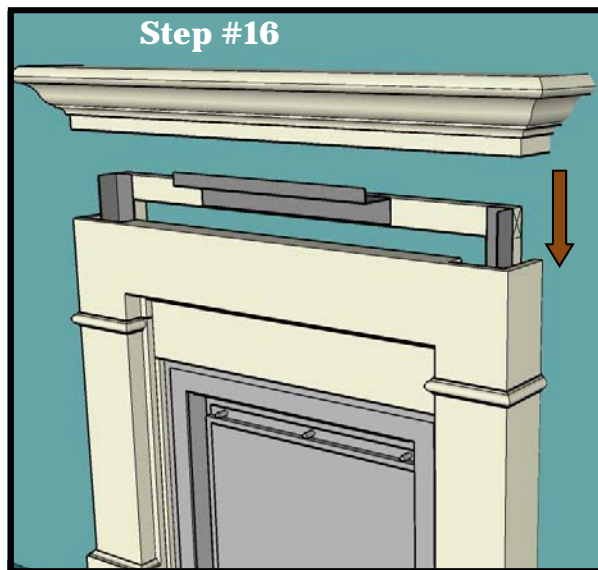
Carefully wipe the extra cement off the joints.



Install the shorter remaining bracket centered along the top edge of the horizontal 2x4.



Check the fit of the shelf onto the top of the beam and bracket, then remove. Adjust bracket if necessary. Apply a thin bead of cement along the top edge of the beam, and against the back edges of the shelf. Carefully lower the shelf into position onto the beam. Use a small wood shim in the joint between the beam and shelf if necessary to insure that the top surface of the shelf is horizontal. Don't forget to apply a small amount of cement in the holes when the shims are removed. Carefully wipe all excess cement off mantel along the joints with a wet cloth, paying special attention to our comments on page 8 in this manual.



*Care and Maintenance of the Jurastone mantel*

Repair of minor chips and scratches

In the event of an accident, where chipping has occurred, we have provided you with a small touchup kit to match the mantel. In the case of a very deep chip a little plaster filler (such as Durabond 90) may be used to bring the damaged area level before concealing the repair.

*Step #1* Fill the affected area with “dabbing” strokes. A couple of coats will be needed, allowing each coat to dry before applying the next coat.

*Step #2* Apply the clear lacquer with the texture grains, one coat should be sufficient for this step.

*Step #3* when all of the coats are completely dry, the surface of the damaged area should be sanded down with a fine sandpaper to blend the repaired area with the rest of the component.

Wax Removal

In the event some hot wax is spilt on the mantel or hearth wait for it to cool. When the wax is cool CAREFULLY pick it off with the tip of a sharp object (i.e. Knife). When using the sharp object it is very important that the tip (or any other part) of the sharp edge is not pushed into the finish of the effected area, as this will chip the finish. Use a commercial wax remover for any remaining residues, testing the remover on an inconspicuous area of the mantel prior to use on the effected area.

Spilt Liquids

Spills and stains should be removed as soon as possible for best results. Dab up spills with a clean cloth or paper towels, avoiding wiping the spill. Water and soap will clean up most spills, providing that they are addressed quickly. Avoid using strong acids or chemicals with a strong acid reaction, as they might roughen the surface if left on for any length of time. It is always best to test the cleaning agent on an inconspicuous part of the mantel in order to check its impact on the finish. Dust and air born dirt will settle on any mantel surface. This can easily be removed by a vacuum with a soft bristle head. Be careful to not scratch the surface in the process.



Distributed in Canada and U.S.A. by;  
Fires of Tradition  
17 Oxbow Lane  
Brantford Ontario  
Canada N3T-5L6  
1 800 325 7988